

## ACCESSORIES

### QUICKCLICK

Quick change ends and adjust for any situation.



#### TABLET HOLDER

Adjustable tablet holder scales to 15" diagonally to hold virtually all tablets on the corners.

#201541

**Optional:** Add the **DEEP V-TABS** to hold encased tablets up to 0.75".

#570009



#### PHONE HOLDER

Adjusts to most phones/cases. Scales 2.25" to 4" wide and up to 0.75" thick.

#201545



#### ADJUSTABLE CLAMP

Heavy-duty clamp for flat surfaces or round tubing. Jaw opens to 2".

#201513



#### WHEELCHAIR RAIL BRACKET

This rail bracket allows for a solid mount directly to a power chair. Works with Permobil, Quantum, and similar.

#201591

## FREQUENT QUESTIONS

### FLEXIBLE STEEL

#### What is the difference between the Pro Arm and Medium Arm?

**Pro Arms** can handle **mid-weight** applications (1 to 4 pounds) such as tablets and e-readers, as well as **lightweight** applications for a fixed length (ie. smartphones, small cameras). **Medium Arms** are ideal for **lightweight** applications, holding up to 1 pound comfortably.

With both variations of Flexible Steel, remember: the shorter the arm, the more effective the mount configuration will be.

#### Does Flexible Steel need special cleaning?

Nope! Cleaning is easy; simply wipe down the vinyl cover with a towel and mild detergent.

### MODULAR METAL

#### What situations should I use the Modular Metal Arm in?

This arm can be used for all kinds of activities—mounting on a bedside, in cars, on bikes, or even for watersports. The sharp angles within the arm can be manipulated by adjusting the arm's Joint-Clamps.

Depending on the configuration, a Modular Metal Arm can support up to 3 pounds; best for use with **mid-weight** devices such as tablets, AAC devices, and smaller cameras.

### MODULAR PLASTIC

#### Which is better: a long or short arm?

A general rule of thumb is to keep the arm as short as your application will allow. The shorter the arm, the less likely it will be to sag. To support heavier items (ie. tablets, communication devices), you may want to add a second arm to distribute the weight evenly.

Longer arm lengths usually aren't recommended for impact-inducive activities. If there is a use that might cause excessive rattle, arm lengths

#### I'm having trouble putting this together — any suggestions?

You can assemble the hose by hand with the proper leverage. If you are having trouble with this, we also have ModularHose Assembly Pliers (sold separately) that make this process easier.

Don't be afraid to reach out for assistance; we're happy to help!

#### How should I take care of my setup?

Components are durable and can endure rigors of many uses. If you find any of the sections in your arm beginning to fatigue, pop apart the arm (sharply bend) to remove at-fault components, replace, then reassemble.

Clean by wiping each joint with a dry cloth; remove residual oils and other residue. Rotate joints while wiping to ensure a thorough cleaning.



## CARE + USE GUIDE



featuring

# QUICKCLICK

SCAN ME



### TRANSLATIONS AVAILABLE

ES FR IT DE

WWW.MOGOMOUNTS.COM/DOCS/MOGO\_CAREANDUSE.PDF



### HOW TO ORDER

You can visit our website and browse the catalog of MOGO products and order online. You can also submit your order by phone or email.

### LEARNING CENTER

Check out the Learning Center on our website for a look at sample-use cases, detailed introductions to using products, and other assistive solutions.

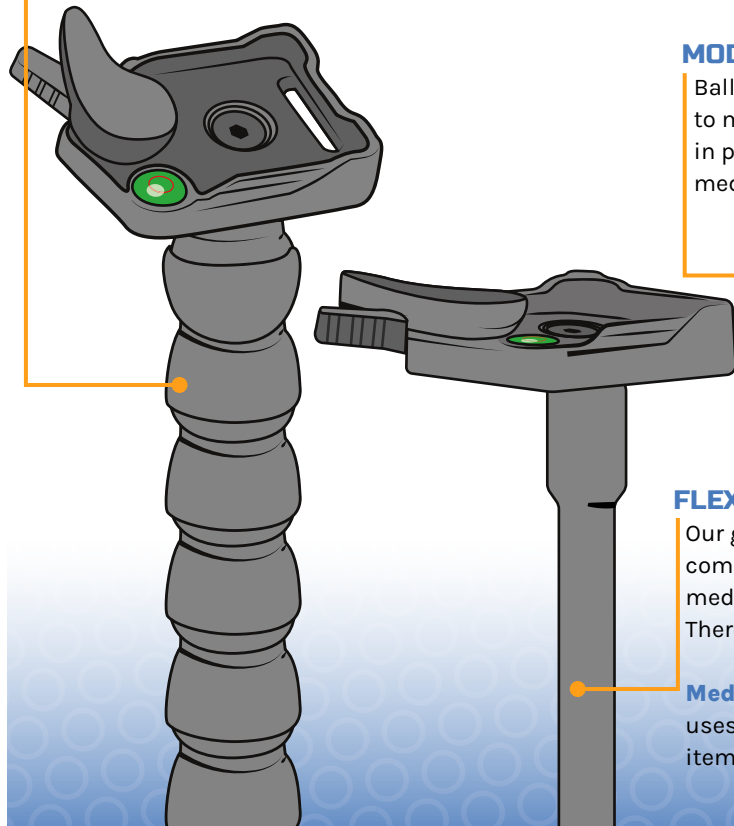
## INTRODUCTION

MOGO is adaptively designed to offer a variety of unique and flexible options for mounting items. Our selection of arms grant the ability to configure for your exact needs and the integrated **QuickClick** feature allows you to swap out accessories quickly.

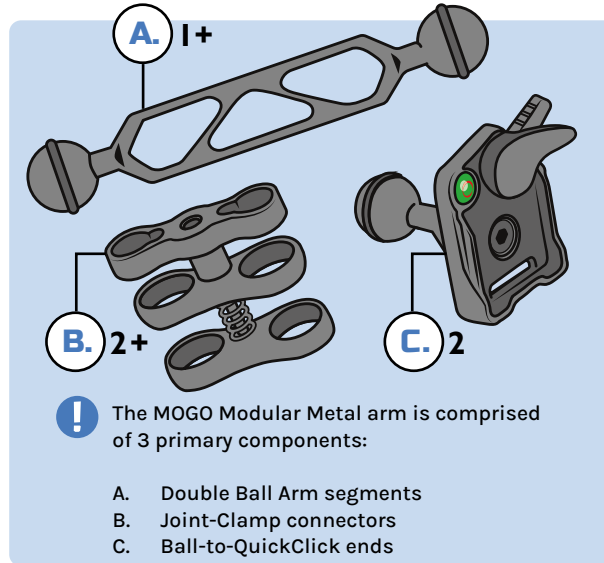
With the introduction of **QuickClick** attachment feature as standard on all MOGO products, these accessory ends work universally across any of the three MOGO arm options: Modular Plastic, Flexible Steel, and Modular Metal.

### MODULAR PLASTIC

A plastic ball-in-socket arm segment for lightweight uses. Easily adjustable with many points of articulation.



## ARM OPTIONS



### MODULAR METAL

Ball-and-joint style arm, able to manipulate corners and lock in positions to suit. Ideal for medium weight uses.

### FLEXIBLE STEEL

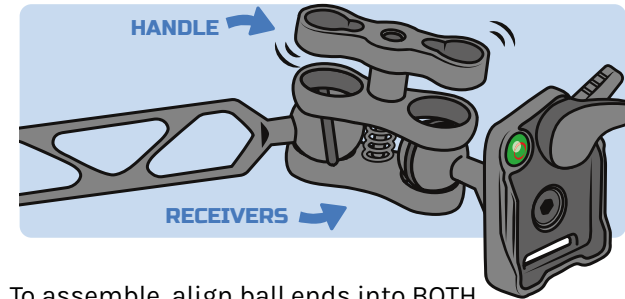
Our gooseneck-style arms that come in fixed lengths, ideal for medium weight applications. There are two strengths available:

**Medium** (best for light weight uses), and **Pro** arms (heavier items).

## ASSEMBLY GUIDE

### MODULAR METAL

You can add more arm segments in varying sizes. One additional Joint-Clamp connector is required per arm segment, to add to existing components.



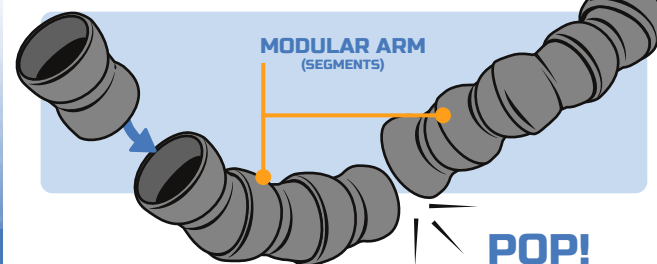
To assemble, align ball ends into BOTH Joint-Clamp receivers and tighten the handle. Be careful not to overtighten Joint-Clamps during the initial assembly.

Once components are assembled, adjust as needed and firmly tighten the handle to lock in positioning of the arm. To make further adjustments, loosen the Joint-Clamp slightly to reposition and tighten firmly to reset the arm.

**Warning:** Both Joint-Clamp receivers must house a ball before tightening. **Attempting assembly with only one ball in position can result in product failure.**

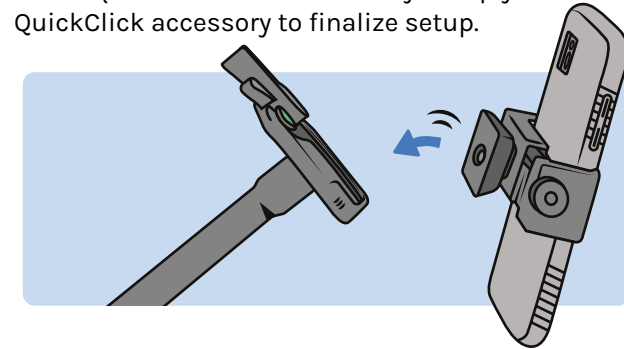
### MODULAR PLASTIC

MOGO Modular Plastic arms utilize the same bead elements as the ModularHose mounting system. To subtract length, bend the arm sharply in order to leverage apart. Add to length by aligning additional beads/segments and firmly forcing the ball into the socket.



### FLEXIBLE STEEL

MOGO Flexible Steel is a fixed length mounting arm and requires no initial assembly. Simply click in a QuickClick accessory to finalize setup.



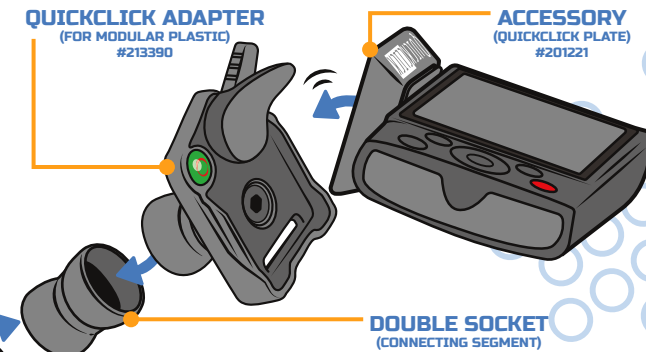
### ACCESSORIES

All MOGO mounting arms are standard with the **QuickClick** feature. QuickClick offers the ability to effortlessly switch between arms and accessories.

Mounts will slide or pop right into place, allowing accessibility to all kinds of devices. Clamps, bases, and more— QuickClick allows you to accessorize quickly without the hassle of reassembly.

### QUICKCLICK ADAPTER (FOR MODULAR PLASTIC) #213390

### ACCESSORY (QUICKCLICK PLATE) #201221



**Warning:** ModularHose/Modular Plastic arms utilize a mounting bead that is joined by a fixed fitting— make sure your QuickClick mount is made for this!

SEE FREQUENT QUESTIONS ABOUT MOGO MOUNTS

**HAVING TROUBLE...? NO WORRIES!**  
EMAIL: [INFO@MOGOMOUNTS.COM](mailto:INFO@MOGOMOUNTS.COM)